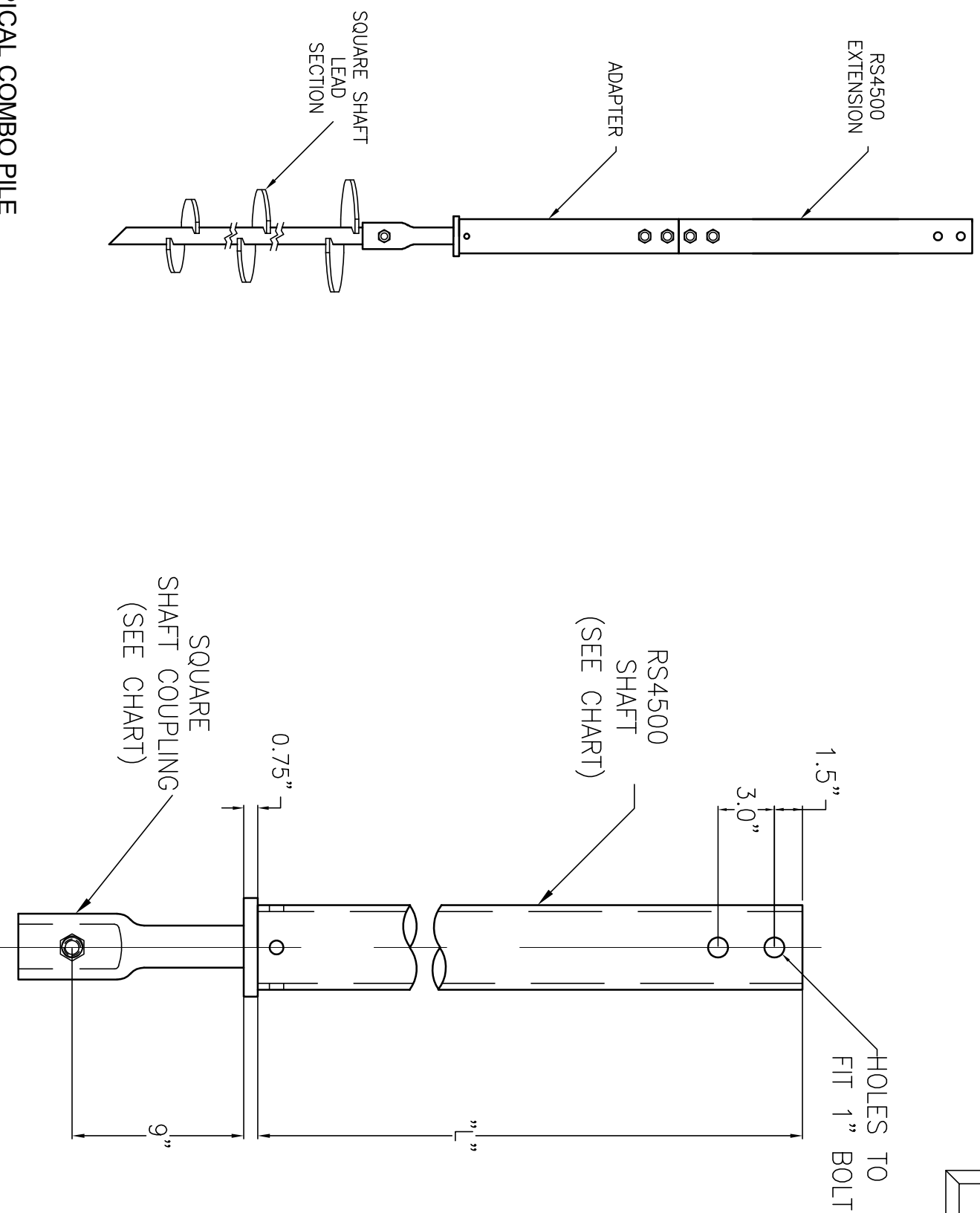


SS200/SS225 TO RS4500 TRANSITIONS



DISCLAIMER

- The information and sketches contained in these drawings are given as guidelines only. Capacities of Chance® Helical Piles may vary depending on, but not limited to, water table elevation and changes to that elevation, changing soil conditions, soil layer thicknesses.
- Achievable capacities could be higher or lower than ratings due to site-specific conditions. On-site load testing should be performed to confirm additional pile capacities. Installed capacities to be verified by a registered Professional Engineer experienced in Chance® helical pile installation.
- The information contained herein is to be used for preliminary design activities only, and subject to EBS' Website Disclaimer.

NOTES - SS200/SS225 TO RS4500 TRANSITION

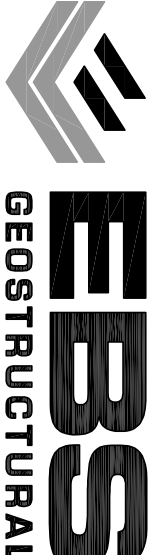
- ADAPTER LENGTHS ARE NOMINAL.
- PIPE SHAFT MATERIAL: STEEL PIPE PER ASTM A500 GRADE B.
- FINISH: HOT DIP GALVANIZED PER ASTM A153 (LATEST REVISION).
- COUPLING BOLTS ARE PER ASTM A193 GRADE B7 WITH HEX JAM NUT.
- MANUFACTURER TO HAVE IN EFFECT INDUSTRY RECOGNIZED WRITTEN QUALITY CONTROL.
- ALL WELDING TO BE DONE BY WELDERS CERTIFIED UNDER SECTION 5 OF THE AWS CODE D1.1.

SS ADAPTS TO RS		ROUND SHAFT (RS)		ULT. TORQUE (FT-LBS)		"L"	
SQUARE SHAFT (SS)							
SS225		RS4500.337		21,000		29"	
SS200		RS4500.337		16,000		29"	

EBS is an authorized distributor of A.B. Chance Civil Construction products.

CHANGE
Since 1912

Registered trademark of A.B. Chance, a division of Hubbell Power Systems, Inc.



EBS
GEOSTEEL

320 Woodlitch Street South, Breslau, Ontario N0B 1M0
Tel: 519-648-3613 Fax: 519-648-2526
Email: info@ebsgeo.com

PROJECT: **SAMPLE**

DRAWING: **SQUARE TO ROUND SHAFT TRANSITIONS**
SS200/SS225 TO RS4500

DRW'N BY: _____ SCALE: N.T.S.

CHECKED: _____ DATE: NOVEMBER 2021

PROJECT No.: _____ DWG. No.: _____