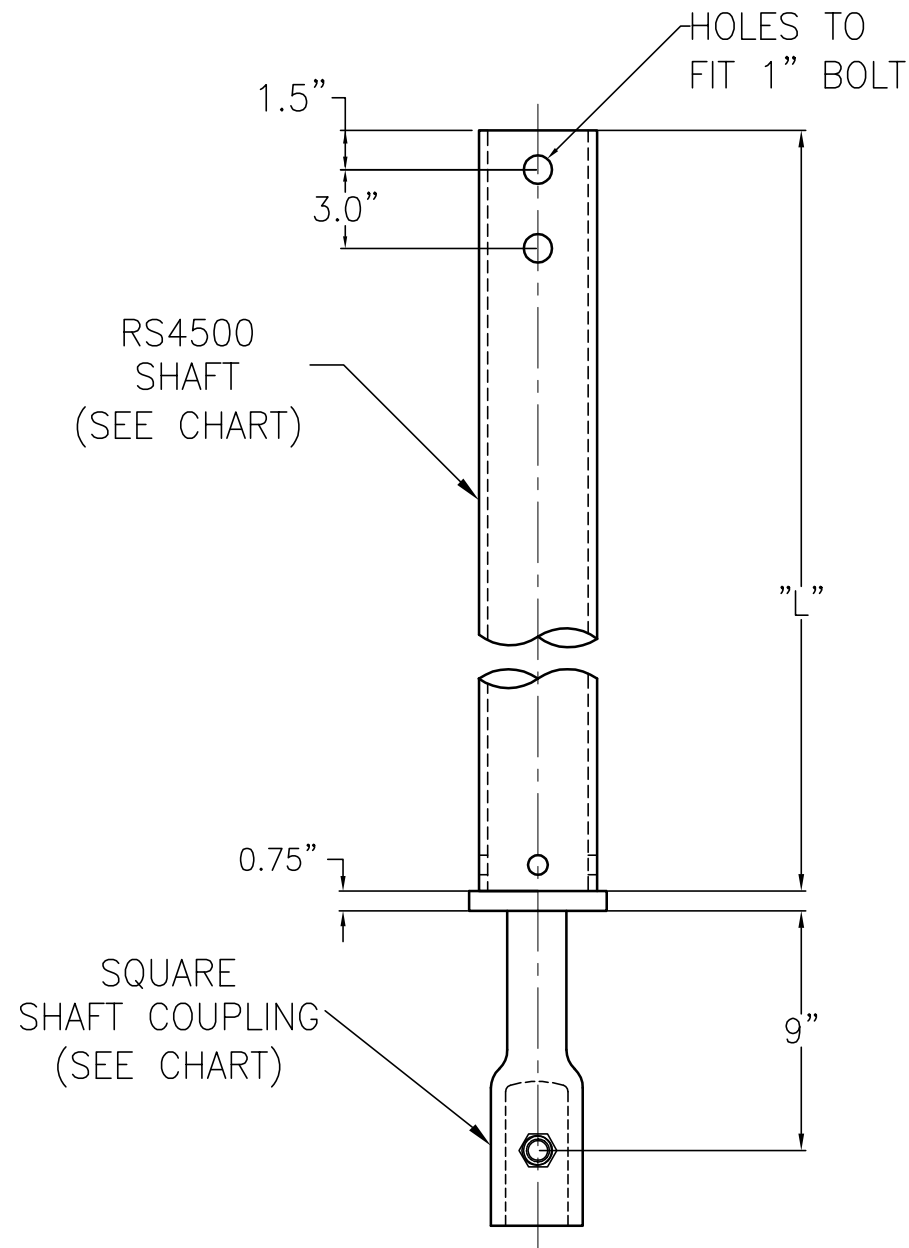


**DISCLAIMER**

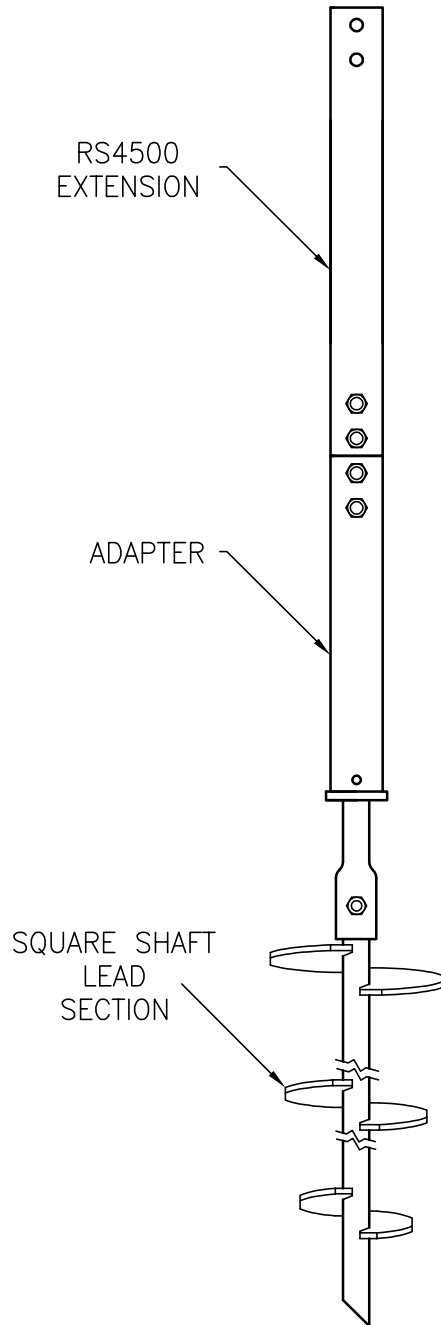
1. The information and sketches contained in these drawings are given as guidelines only.
2. Capacities of Chance Helical Piles/Anchors may vary depending on, but not limited to, water table elevation and changes to that elevation, changing soil conditions, soil layer thicknesses.
3. Achievable capacities could be higher or lower than ratings due to site-specific conditions. On site load testing should be performed to confirm additional pile/anchor capacities.
4. Installed capacities to be verified on site by a registered Professional Engineer.
5. The information contained herein is to be used for preliminary design activities only, and subject to EBS' Website Disclaimer.

**SS200/SS225 TO RS4500  
TRANSITIONS**



**NOTES – SS200/SS225 TO RS4500 TRANSITION**

1. ADAPTER LENGTHS ARE NOMINAL.
2. PIPE SHAFT MATERIAL: STEEL PIPE PER ASTM A500 GRADE B.
3. FINISH: HOT DIP GALVANIZED PER ASTM A153 (LATEST REVISION).
4. COUPLING BOLTS ARE PER ASTM A193 GRADE B7 WITH HEX JAM NUT.
5. MANUFACTURER TO HAVE IN EFFECT INDUSTRY RECOGNIZED WRITTEN QUALITY CONTROL.
6. ALL WELDING TO BE DONE BY WELDERS CERTIFIED UNDER SECTION 5 OF THE AWS CODE D1.1.



**TYPICAL COMBO PILE  
ASSEMBLY**

SCALE: N.T.S.

SS ADAPTS TO RS		ULT. TORQUE (FT-LBS)	"L"
SQUARE SHAFT (SS)	ROUND SHAFT (RS)		
SS225	RS4500.337	21,000	29"
SS200	RS4500.337	16,000	29"



320 Woolwich Street South, Breslau, Ontario N0B 1M0  
Tel: 519-648-3613 Fax: 519-648-2526  
Email: info@ebsgeo.com

PROJECT: SAMPLE

DRAWING: SQUARE TO ROUND SHAFT TRANSITIONS  
SS200/SS225 TO RS4500

DRW'N BY: SCALE: N.T.S.

CHECKED: DATE: JANUARY 2016

PROJECT No.: DWG. No.:

EBS is an authorized distributor of A.B. Chance Civil Construction products.

Registered trademark of A.B. Chance, a division of Hubbell Power Systems, Inc.