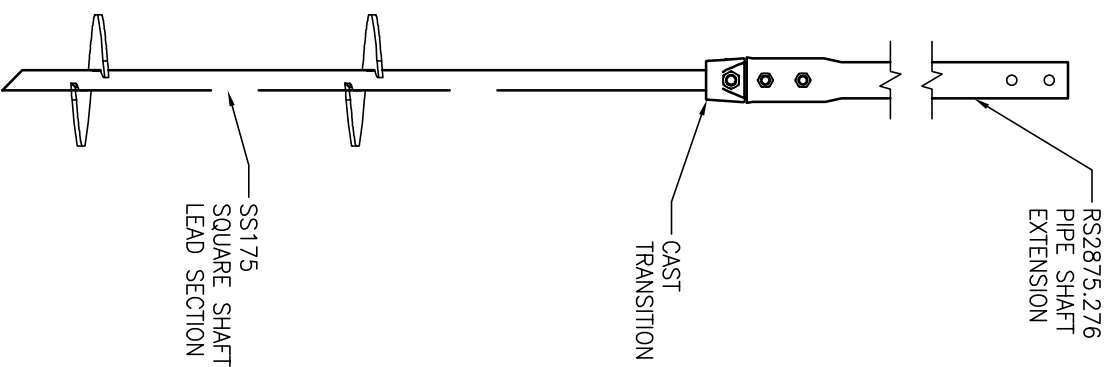
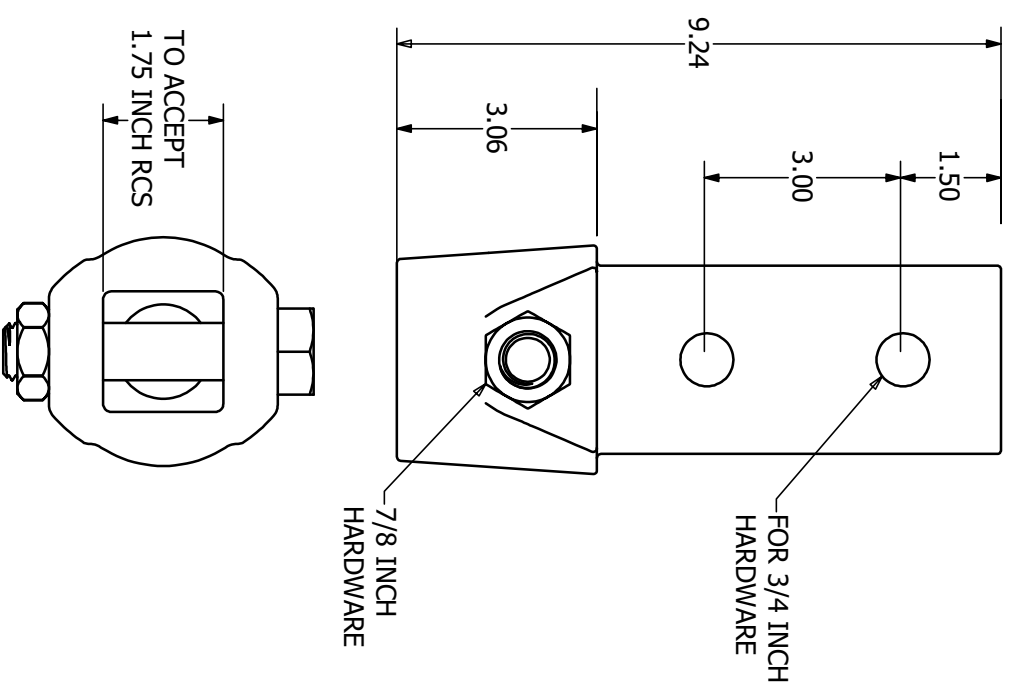


SS1775 TO RS2875.276 TRANSITIONS



TYPICAL COMBO PILE ASSEMBLY

SCALE: N.T.S.



DISCLAIMER

- The information and sketches contained in these drawings are given as guidelines only.
- Capacities of Chance® Helical Piles may vary depending on, but not limited to, water table elevation and changes to that elevation, changing soil conditions, soil layer thicknesses. Achievable capacities could be higher or lower than ratings due to site-specific conditions. On-site load testing should be performed to confirm additional pile capacities.
- Installed capacities to be verified by a registered Professional Engineer experienced in Chance® helical pile installation.
- The information contained herein is to be used for preliminary design activities only, and subject to EBS' Website Disclaimer.

NOTES

- MATERIAL: CAST DUCTILE IRON PER ASTM A536 60-40-18.
- FINISH: HOT DIP GALVANIZED PER ASTM A153.
- HARDWARE: INCLUDES (1) 7/8 INCH HES HEAD BOLT AND NUT PER ASTM A193 GRADE B7.
- RATINGS:
 - TORQUE: 8,000 FT-LBS
 - TENSION: 80 KIPS.

NO.	DATE	REVISION

EBS
GEOSTRUCTURAL

320 Woodlitch Street South, Breslau, Ontario N0B 1M0
Tel: 519-648-3613 Fax: 519-648-2526
Email: info@ebsgeo.com

COR **3HSA**
Member Since 1998

PROJECT: SAMPLE

DRAWING: SQUARE TO ROUND SHAFT TRANSITIONS
SS1775 TO RS2875.276

DRW'N BY:	SCALE:	N.T.S.
CHECKED:	DATE:	NOVEMBER 2021
PROJECT No.:	DWG. No.:	

EBS is an authorized distributor of A.B. Chance Civil Construction products.

Registered trademark of A.B. Chance, a division of Hubbell Power Systems, Inc.