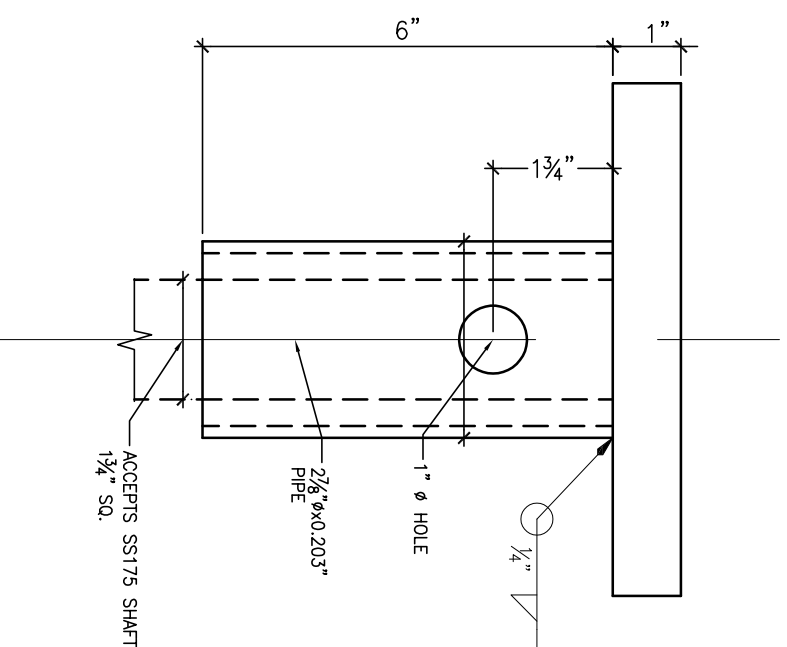
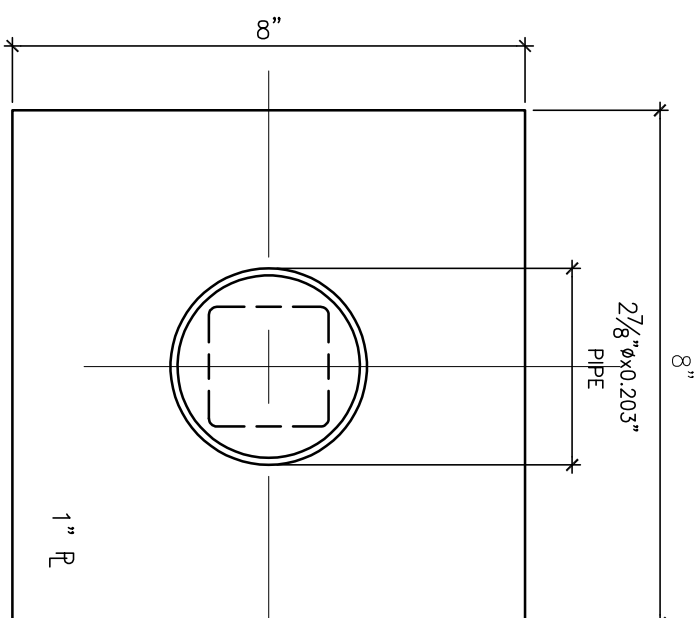


8" X 8" X 1" NEW CONSTRUCTION
BRACKET FOR COMPRESSION ONLY

SCALE: N.T.S.



8" X 8" X 1" NEW CONSTRUCTION
BRACKET FOR COMPRESSION/TENSION

SCALE: N.T.S.

DISCLAIMER

- The information and sketches contained in these drawings are given as guidelines only.
- Capacities of Chance® Helical Piles may vary depending on, but not limited to, water table elevation and changes to that elevation, changing soil conditions, soil layer thicknesses. Achievable capacities could be higher or lower than ratings due to site-specific conditions. On-site load testing should be performed to confirm additional pile capacities.
- Installed capacities to be verified by a registered Professional Engineer experienced in Chance® helical pile installation.
- The information contained herein is to be used for preliminary design activities only, and subject to EBS' Website Disclaimer.

NOTES

- FINISH: MILL FINISH STEEL.
- MATERIAL SPECIFICATIONS:
 - STEEL PLATE SHALL CONFORM TO CSA STANDARD G40.21M-350W GRADE, F_y=350MPa.
 - STEEL PIPE SHALL CONFORM TO ASTM A53, GRADE B, F_u=415MPa, F_y=240MPa (MIN).
 - COUPLING BOLT AND NUT: 7/8" X 3 - 1/2", PER ASTM A193 GRADE 7, F_u=830MPa.
- MECHANICAL RATING (ULS):
 - COMPRESSION: 115kips (510kN)
 - TENSION: 51kips (225kN)*
 *TENSION RATING VALID ONLY FOR WELD AND BOLT SPECIFIED.
- WELDING NOTES
 - ALL WELDING SHALL BE IN ACCORDANCE WITH CSA STANDARD W59-03, "WELDED STEEL CONSTRUCTION (METAL ARC WELDING)", BY APPROVED WELDERS CERTIFIED BY THE CANADIAN WELDING BUREAU.
 - ALL WELDING ELECTRODES SHALL BE LOW HYDROGEN E69XX CLASSIFICATION OR EQUIVALENT.
 - FILLET WELDS 5/16" OR LESS SHALL BE SINGLE PASS.

NO.	DATE	REVISION

EBS
GEOSTEEL

320 Woolwich Street South, Breslau, Ontario N0B 1M0
Tel: 519-648-3613 Fax: 519-648-2526
Email: info@ebsgeo.com

CON **IHSAA**
Member Since 2013

PROJECT: SAMPLE

DRAWING: SS175 BOLTED/SLIP FIT
NEW CONSTRUCTION BRACKETS

DRWN BY:	SCALE:	N.T.S.
CHECKED:	DATE:	NOVEMBER 2021
PROJECT No.:	DWG. No.:	