

**DISCLAIMER**

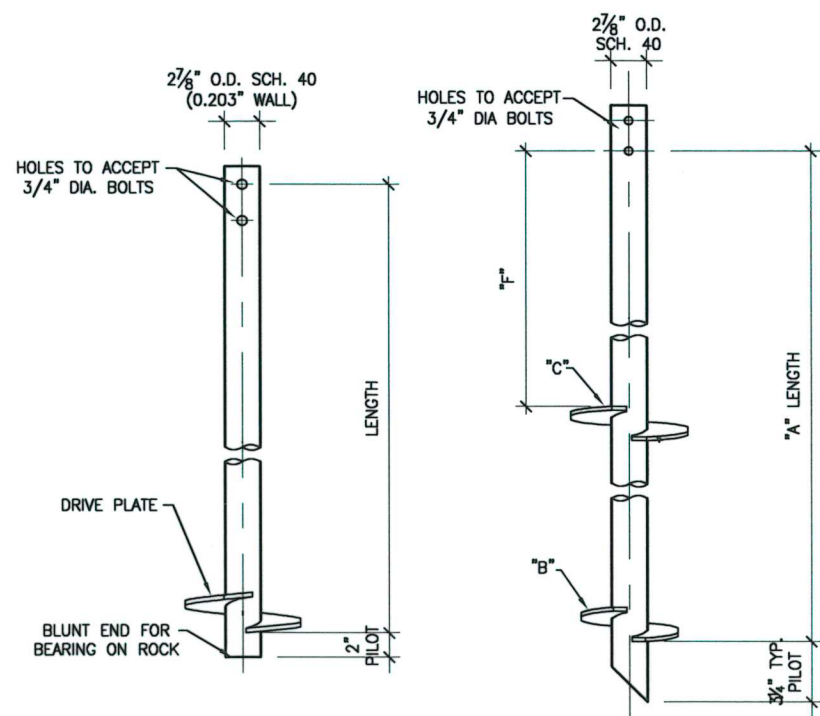
1. The information and sketches contained in these drawings are given as guidelines only.
2. Capacities of Chance Helical Piles/Anchors may vary depending on, but not limited to, water table elevation and changes to that elevation, changing soil conditions, soil layer thicknesses.
3. Achievable capacities could be higher or lower than ratings due to site-specific conditions. On site load testing should be performed to confirm additional pile/anchor capacities.
4. Installed capacities to be verified on site by a registered Professional Engineer.
5. The information contained herein is to be used for preliminary design activities only, and subject to EBS' Website Disclaimer.

**2-7/8" RS HELICAL PIERS / ANCHORS**

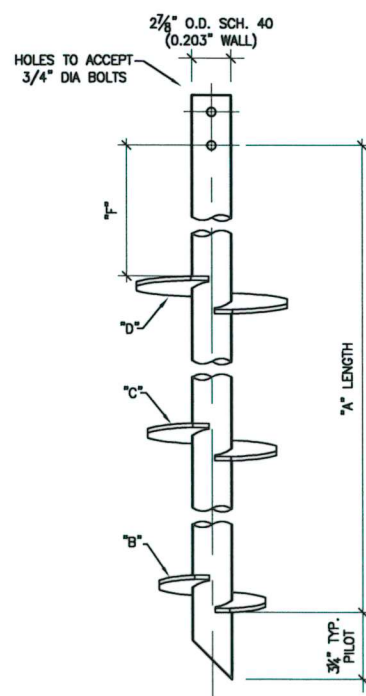


**NOTES:**

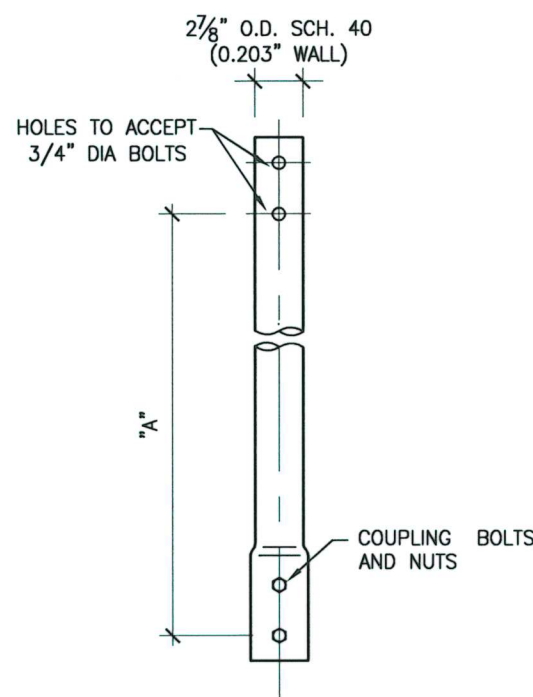
1. HOT DIP GALVANIZED PER ASTM A153-(LATEST REVISION).
2. LEAD, PILOT AND EXTENSION LENGTHS ARE NOMINAL.
3. PIPE SHAFT MATERIAL: 2.5" NOMINAL, SCHEDULE 40 WALL THICKNESS PER ASTM A500 GRADE B.
4. COUPLING BOLTS: 3/4" DIAMETER X 4.25" LONG HEX HEAD PER SAE J429 GRADE 5.
5. MANUFACTURER TO HAVE IN EFFECT INDUSTRY RECOGNIZED WRITTEN QUALITY CONTROL FOR ALL MATERIALS AND MANUFACTURING PROCESSES.
6. ALL WELDING TO BE DONE BY WELDERS CERTIFIED UNDER SECTION 5 OF THE AWS CODE D1.1.
7. EXTENSIONS ARE FABRICATED WITH A HOT FORGE EXPANDED INTEGRAL COUPLING CONNECTION ON ONE END.
8. TORQUE STRENGTH RATING-5,500 FT-LB.
9. ULTIMATE TENSION & COMPRESSION STRENGTH-55 KIPS.



**LEAD SECTION**

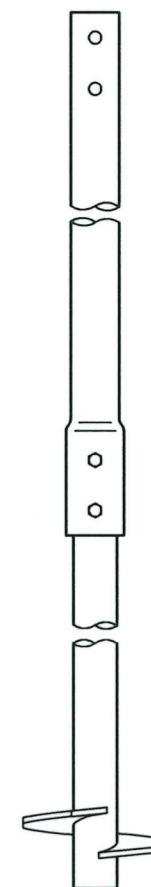


SCALE: N.T.S.



**EXTENSION**

SCALE: N.T.S.



**TYPICAL ASSEMBLY**

SCALE: N.T.S.

LEAD SECTIONS				
"A"	"B"	"C"	"D"	"F"
57"	10"			
76"	12"			
57"	8"	10"		33"
76"	8"	10"		52"
57"	10"	12"		27"
57"	8"	10"	12"	5"
76"	10"	12"	14"	10"

EXTENSIONS
"A"
30"
57"
78"
114"



320 Woolwich Street South, Breslau, Ontario N0B 1M0  
 Tel: 519-648-3613 Fax: 519-648-2526  
 Email: info@ebsgeo.com

PROJECT: SAMPLE

DRAWING: 2-7/8" HELICAL PIERS / ANCHORS

DRW'N BY: J.H.	SCALE: N.T.S.
CHECKED:	DATE: APRIL 2014
PROJECT No.:	DWG. No.: