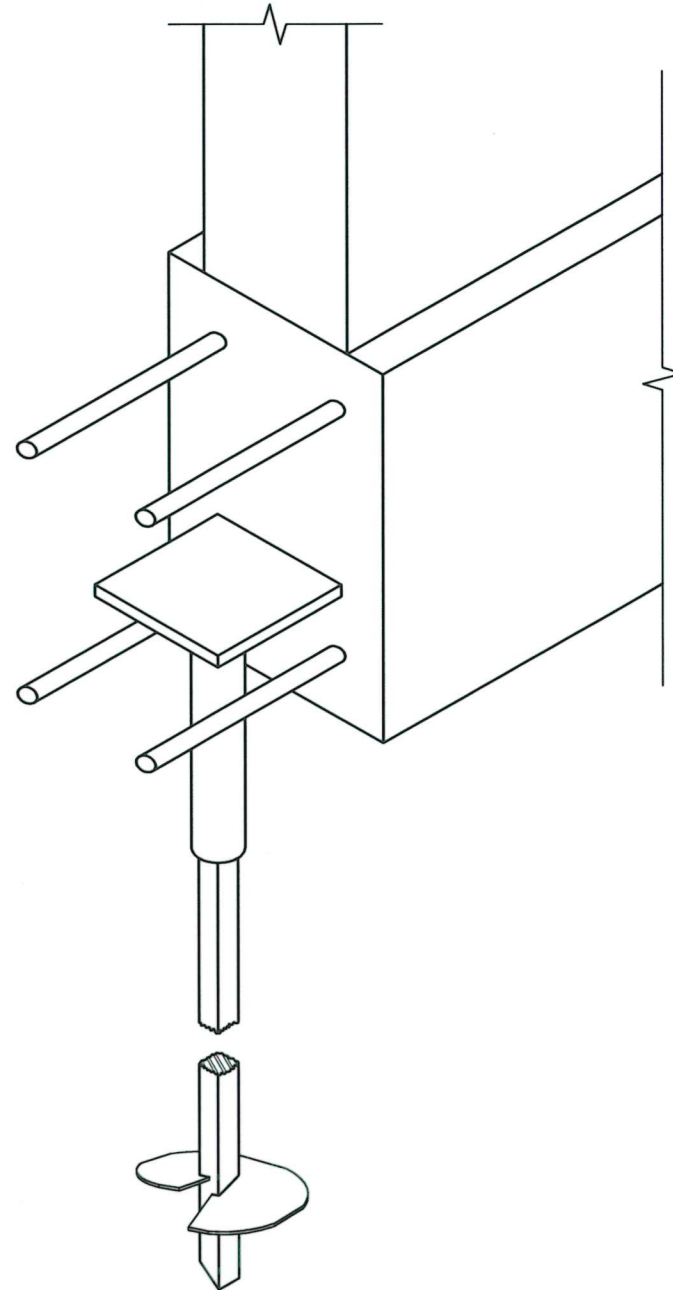


**DISCLAIMER**

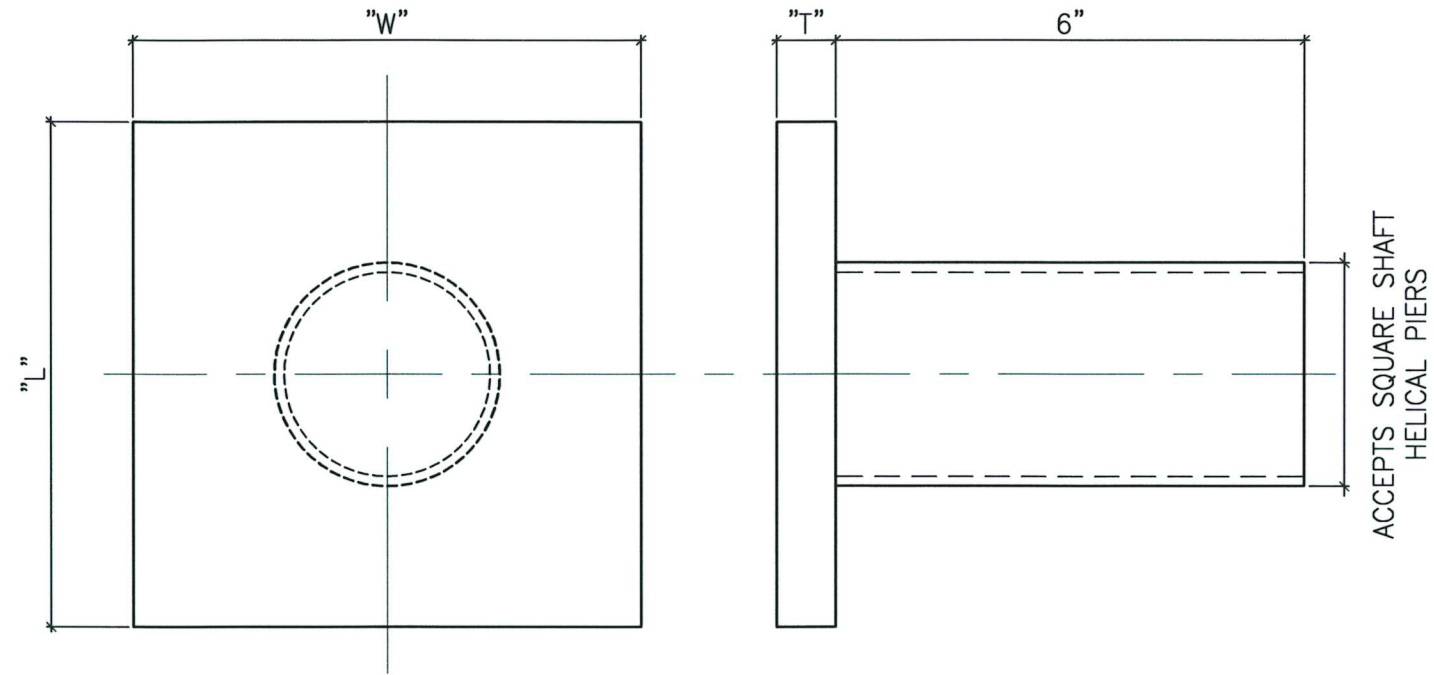
1. The information and sketches contained in these drawings are given as guidelines only.
2. Capacities of Chance Helical Piles/Anchors may vary depending on, but not limited to, water table elevation and changes to that elevation, changing soil conditions, soil layer thicknesses.
3. Achievable capacities could be higher or lower than ratings due to site-specific conditions. On site load testing should be performed to confirm additional pile/anchor capacities.
4. Installed capacities to be verified on site by a registered Professional Engineer.
5. The information contained herein is to be used for preliminary design activities only, and subject to EBS' Website Disclaimer.



**INSTALLATION CONCEPT OF  
PIER CAP DETAIL**

SCALE: N.T.S.

**NEW CONSTRUCTION BRACKET**



**NEW CONSTRUCTION  
BRACKET**

SCALE: N.T.S.

ACCEPTS SQUARE SHAFT  
HELICAL PIERS

**NEW CONSTRUCTION BRACKET SIZES**

HELICAL SS TYPE	"L"	"W"	"T"	SERVICE LOAD RATING
SS5	6"	6"	1/2"	25 KIP
SS175	6-1/2"	6-1/2"	3/4"	55 KIP
SS200	8"	8"	1"	80 KIP
SS225	9"	9"	1"	100 KIP

**NOTES**

1. FINISH: MILL FINISH STEEL.
2. PIPE: STEEL TUBE, ROUND, PER ASTM A500 GRADE B OR EQUIVALENT.
3. PLATE: PER ASTM A36 OR EQUIVALENT.
4. RATING: RATING IS VALID ONLY IF THE PIER CAP DETAIL HAS BEEN DESIGNED TO ENSURE ADEQUATE LOAD TRANSFER FROM REINFORCED CONCRETE FOUNDATION TO HELICAL PIER, AND IN ACCORDANCE WITH EXISTING LOCAL CODE REQUIREMENTS AND /OR ESTABLISHED LOCAL PRACTICES.



320 Woolwich Street South, Breslau, Ontario N0B 1M0  
Tel: 519-648-3613 Fax: 519-648-2526  
Email: info@ebsgeo.com

PROJECT: SAMPLE

DRAWING: NEW CONSTRUCTION BRACKET

DRW'N BY:	SCALE: N.T.S.
CHECKED:	DATE: NOVEMBER 2012
PROJECT No.:	DWG. No.: