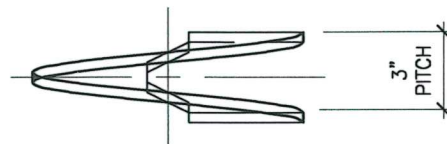


DISCLAIMER

1. The information and sketches contained in these drawings are given as guidelines only.
2. Capacities of Chance Helical Piles/Anchors may vary depending on, but not limited to, water table elevation and changes to that elevation, changing soil conditions, soil layer thicknesses.
3. Achievable capacities could be higher or lower than ratings due to site-specific conditions. On site load testing should be performed to confirm additional pile/anchor capacities.
4. Installed capacities to be verified on site by a registered Professional Engineer.
5. The information contained herein is to be used for preliminary design activities only, and subject to EBS' Website Disclaimer.

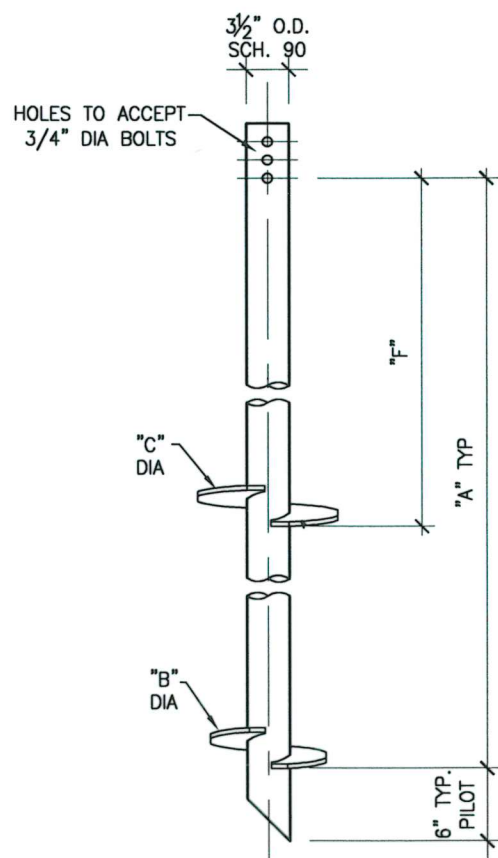
HS HELICAL PIERS / ANCHORS



HELIX MUST BE FORMED BY MATCHING METAL DIE
(SIDE VIEW OF TRUE HELICAL FORM)

NOTES:

1. HOT DIP GALVANIZED PER ASTM A123-(LATEST REV.).
2. LEAD AND EXTENSION SECTION LENGTHS AND HELIX SPACINGS ARE NOMINAL.
3. NOMINAL SPACING BETWEEN HELIX PLATES IS THREE TIMES THE DIAMETER OF THE LOWER HELIX.
4. SHAFT MATERIAL PER ASTM A618 OR A500 GRADE B OR MECHANICAL EQUIVALENT.
5. HELIX MATERIAL LOW CARBON STEEL MEETING THE GENERAL REQUIREMENTS OF AISI, OR ASTM A36, A572, A656, OR A1018.
6. COUPLING BOLTS: 3/4" DIAMETER X 5-3/4" LONG HEX HEAD PER SAE J429 GRADE 5.
7. MANUFACTURER TO HAVE IN EFFECT INDUSTRY RECOGNIZED WRITTEN QUALITY CONTROL FOR ALL MATERIALS AND MANUFACTURING PROCESSES.
8. ALL WELDING TO BE DONE BY WELDERS CERTIFIED UNDER SECTION 5 OF THE AWS CODE D1.1.
9. EXTENSIONS MUST BE PROVIDED WITH A HOT FORGE EXPANDED INTEGRAL COUPLING CONNECTION ON ONE END.
10. TORQUE STRENGTH RATING-13,000 FT-LB.
11. ULTIMATE CAPACITY (TENSION/COMPRESSION)-77 KIP BASED ON A TORQUE FACTOR (Kt)=7. ULTIMATE CAPACITY CAN BE INCREASED WHEN END-BEARING ON BEDROCK.
12. SINGLE HELIX ULTIMATE STRENGTH-40 KIP.
13. ULTIMATE TENSION STRENGTH (COUPLING BOLT)-120 KIP.

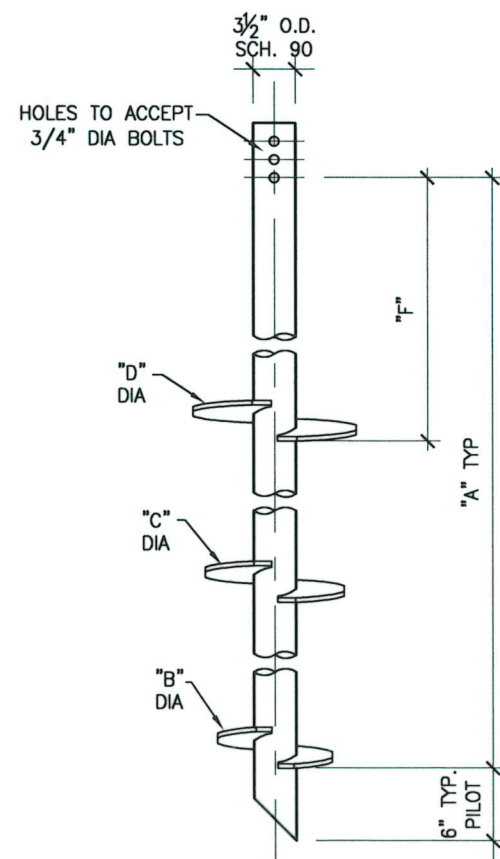


LEAD SECTION

SCALE: N.T.S.

LEAD SECTIONS

"A"	"B"	"C"	"D"	"F"
75"	8"	10"	12"	21"
75"	10"	12"	14"	9"
75"	10"	12"		45"

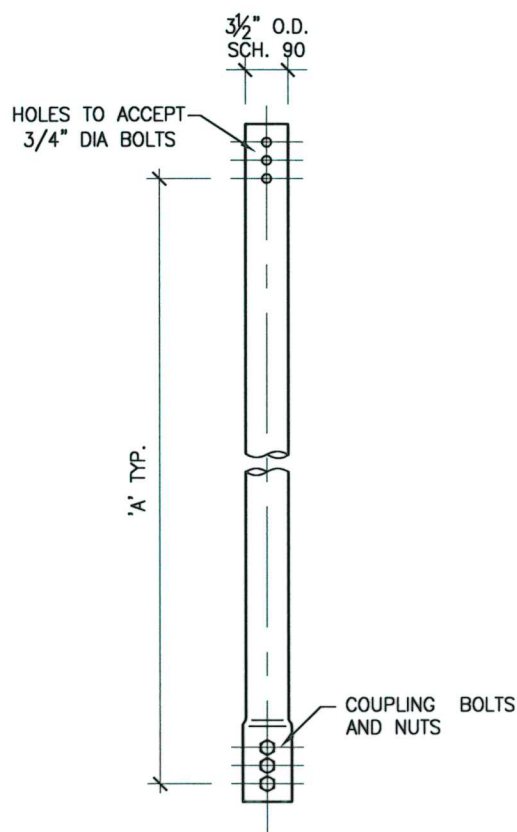


EXTENSION

SCALE: N.T.S.

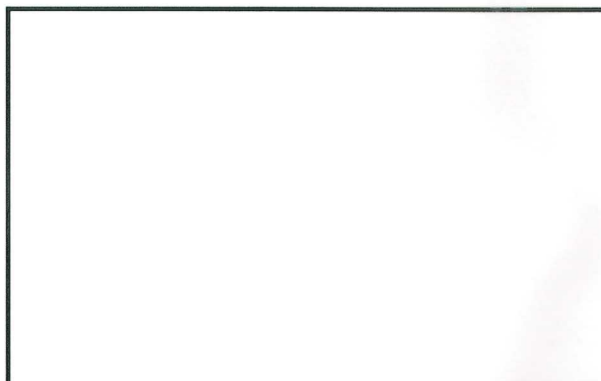
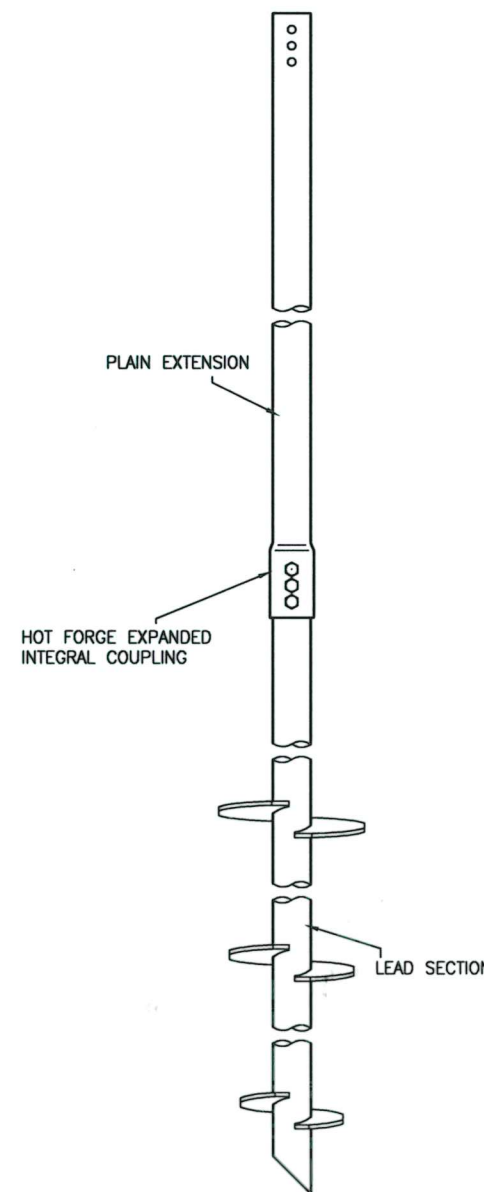
EXTENSION

CAT. NO.	"A"	ICC-ES LISTED
C150-0025	56"	
C150-0026	78"	
C150-0216	119"	



TYPICAL ASSEMBLY

SCALE: N.T.S.



320 Woolwich Street South, Breslau, Ontario N0B 1M0
Tel: 519-648-3613 Fax: 519-648-2526
Email: info@ebsgeo.com

PROJECT: SAMPLE

DRAWING: HS HELICAL PIERS / ANCHORS

DRW'N BY: J.H.	SCALE: N.T.S.
CHECKED:	DATE: APRIL 2014
PROJECT No.:	DWG. No.: