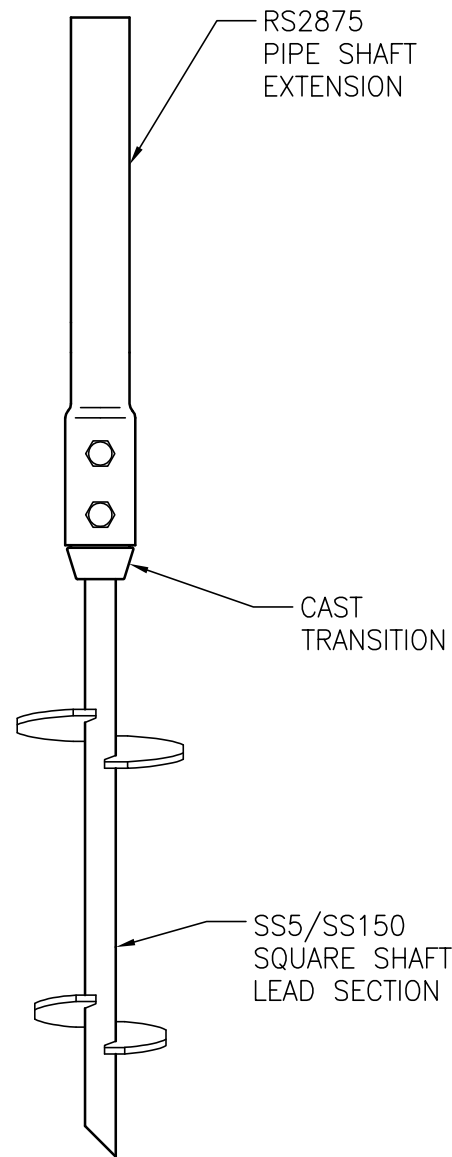


DISCLAIMER

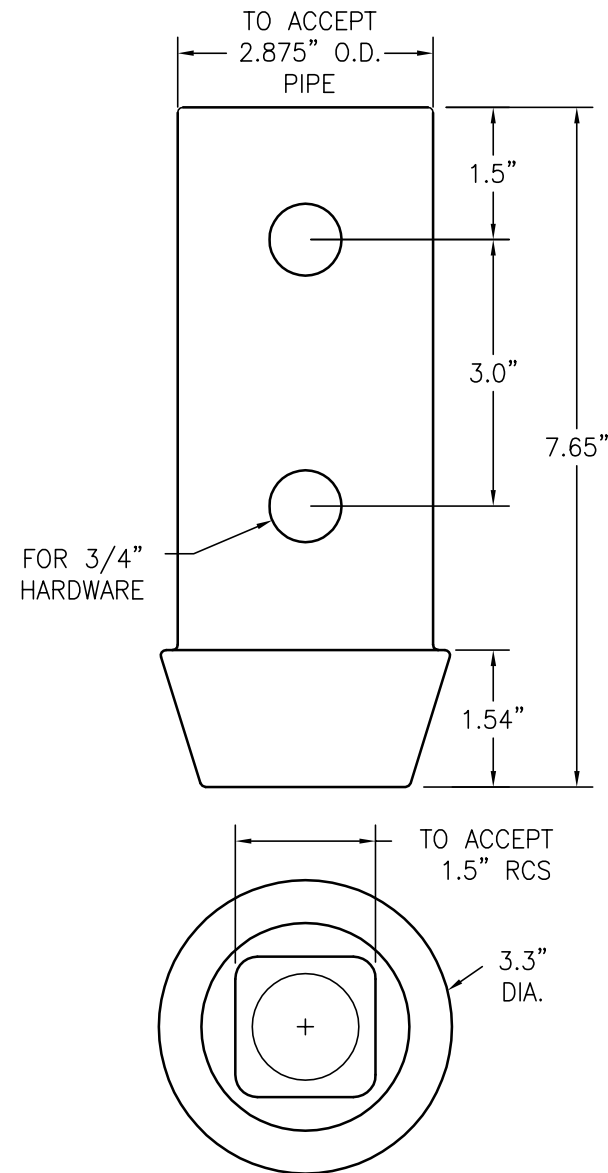
1. The information and sketches contained in these drawings are given as guidelines only.
2. Capacities of Chance Helical Piles/Anchors may vary depending on, but not limited to, water table elevation and changes to that elevation, changing soil conditions, soil layer thicknesses.
3. Achievable capacities could be higher or lower than ratings due to site-specific conditions. On site load testing should be performed to confirm additional pile/anchor capacities.
4. Installed capacities to be verified on site by a registered Professional Engineer.
5. The information contained herein is to be used for preliminary design activities only, and subject to EBS' Website Disclaimer.



TYPICAL COMBO PILE ASSEMBLY

SCALE: N.T.S.

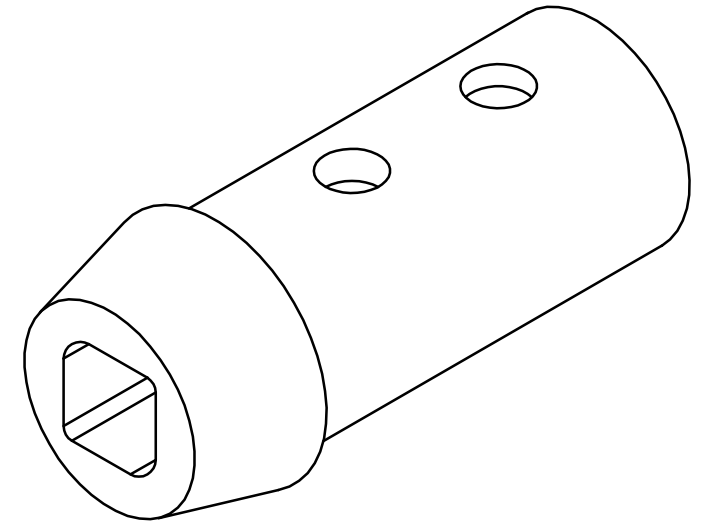
SS5 TO RS2875 TRANSITIONS



NOTES – SS5 TO RS2875 TRANSITION

1. MATERIAL: CAST DUCTILE IRON PER ASTM A536 65–45–12.
2. FINISH: HOT DIP GALVANIZED PER ASTM A153.
3. HARDWARE: USE HARDWARE INCLUDED IN STANDARD PIPE SHAFT EXTENSION.
4. RATINGS:

4.1. TORQUE:	7,000 FT–LBS
4.2. COMPRESSION:	72 KIPS
4.3. TENSION:	62 KIPS.



320 Woolwich Street South, Breslau, Ontario N0B 1M0
 Tel: 519-648-3613 Fax: 519-648-2526
 Email: info@ebsgeo.com

PROJECT: **SAMPLE**

DRAWING: **SQUARE TO ROUND SHAFT TRANSITIONS
 SS5 TO RS2875**

DRW'N BY:	SCALE: N.T.S.
CHECKED:	DATE: JANUARY 2016
PROJECT No.:	DWG. No.:

EBS is an authorized distributor of A.B. Chance Civil Construction products.

CHANCE™
 Since 1912

Registered trademark of A.B. Chance, a division of Hubbell Power Systems, Inc.