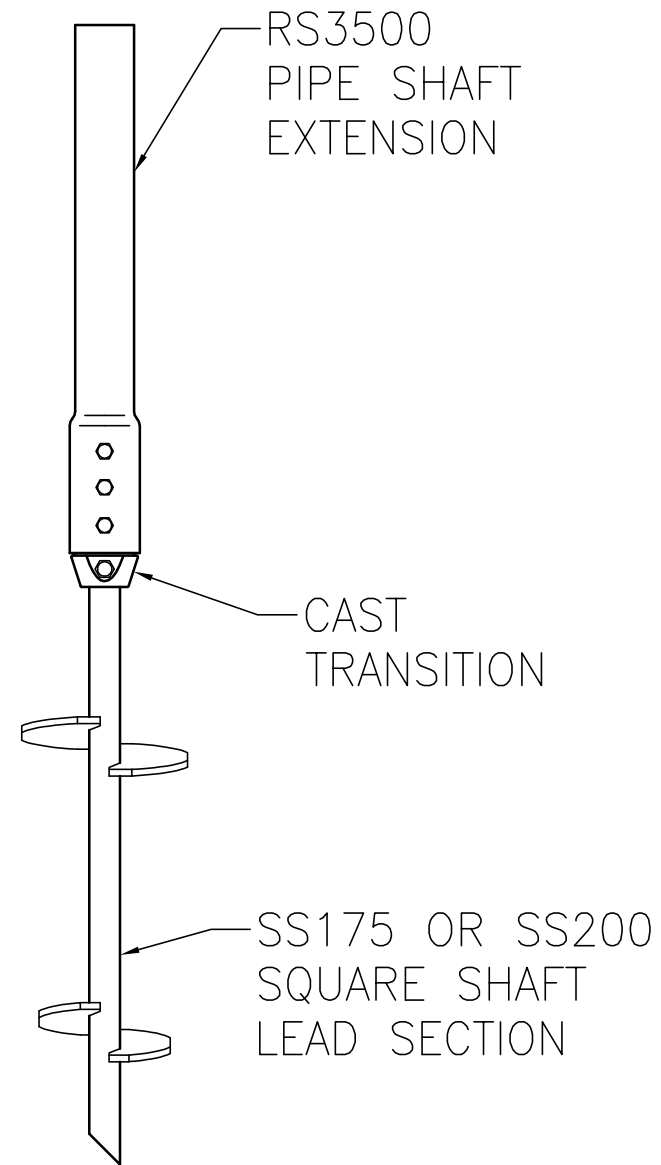


DISCLAIMER

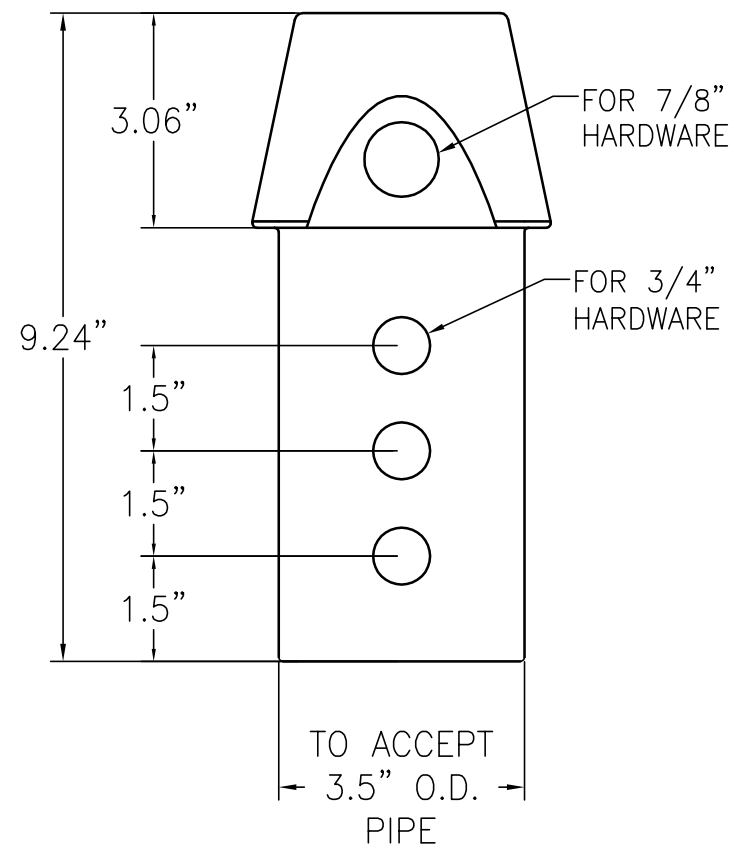
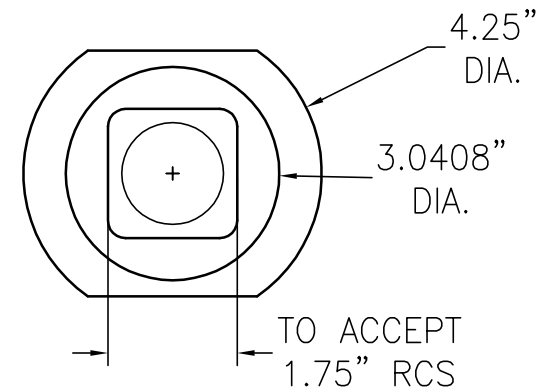
1. The information and sketches contained in these drawings are given as guidelines only.
2. Capacities of Chance Helical Piles/Anchors may vary depending on, but not limited to, water table elevation and changes to that elevation, changing soil conditions, soil layer thicknesses.
3. Achievable capacities could be higher or lower than ratings due to site-specific conditions. On site load testing should be performed to confirm additional pile/anchor capacities.
4. Installed capacities to be verified on site by a registered Professional Engineer.
5. The information contained herein is to be used for preliminary design activities only, and subject to EBS' Website Disclaimer.

SS175/SS200 TO RS3500 TRANSITIONS



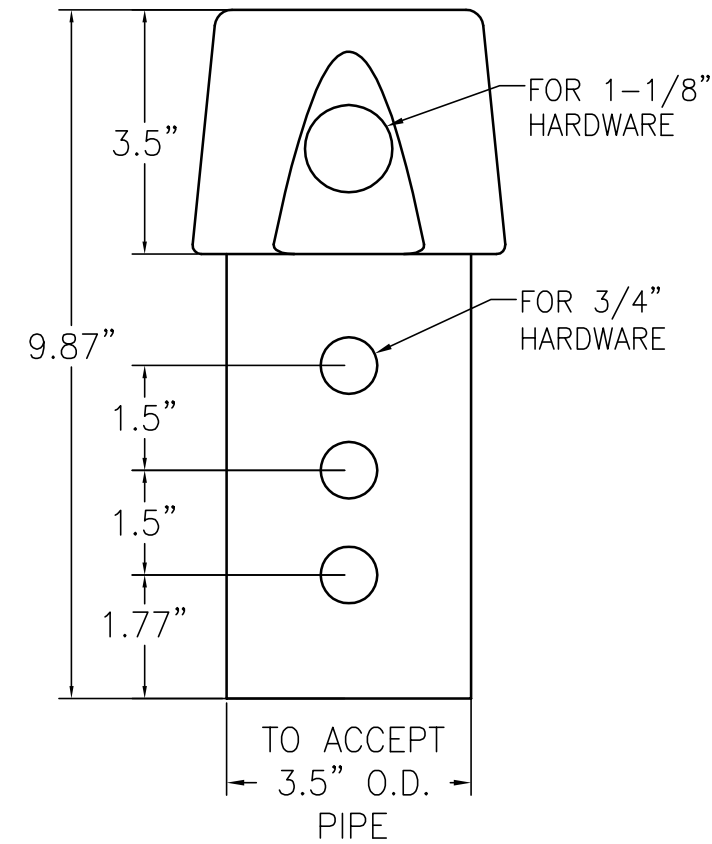
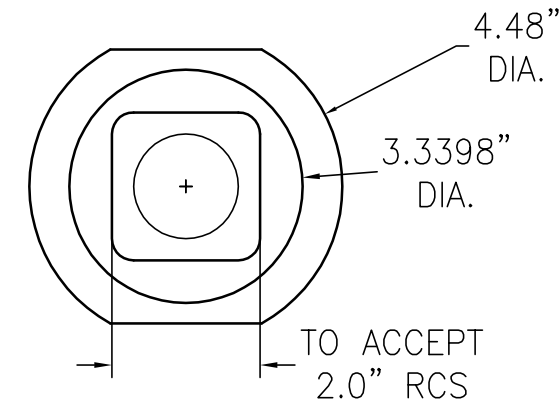
TYPICAL COMBO PILE ASSEMBLY

SCALE: N.T.S.



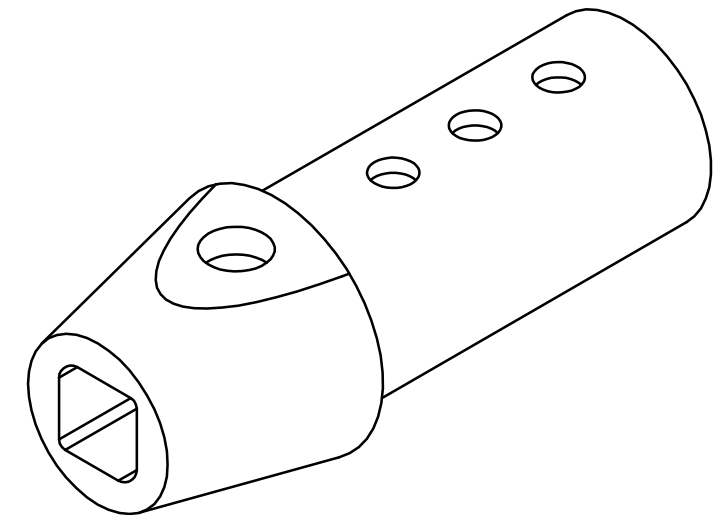
NOTES – SS175 TO RS3500 TRANSITION

1. MATERIAL: CAST DUCTILE IRON PER ASTM A536 65-45-12.
2. FINISH: HOT DIP GALVANIZED PER ASTM A153.
3. HARDWARE: 7/8" HEX HEAD BOLT PER ASTM A193 GRADE B7.
4. RATINGS:
 - 4.1. TORQUE: 11,000 FT-LBS
 - 4.2. COMPRESSION: 110 KIPS
 - 4.3. TENSION: 100 KIPS.



NOTES – SS200 TO RS3500 TRANSITION

1. MATERIAL: CAST DUCTILE IRON PER ASTM A536 65-45-12.
2. FINISH: HOT DIP GALVANIZED PER ASTM A153.
3. HARDWARE: 1 1/8" HEX HEAD BOLT PER ASTM A193 GRADE B7.
4. RATINGS:
 - 4.1. TORQUE: 13,000 FT-LBS
 - 4.2. COMPRESSION: 120 KIPS
 - 4.3. TENSION: 120 KIPS.



320 Woolwich Street South, Breslau, Ontario N0B 1M0
Tel: 519-648-3613 Fax: 519-648-2526
Email: info@ebsgeo.com

PROJECT: **SAMPLE**

DRAWING: **SQUARE TO ROUND SHAFT TRANSITIONS
SS175/SS200 TO RS3500**

DRW'N BY:	SCALE: N.T.S.
CHECKED:	DATE: JANUARY 2016
PROJECT No.:	DWG. No.:

